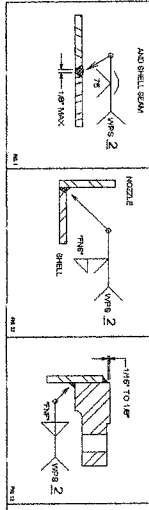
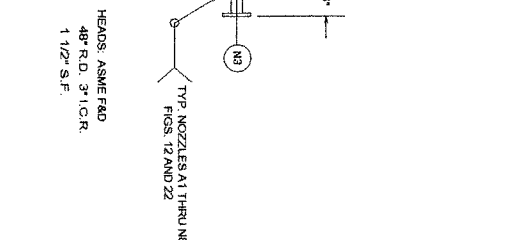
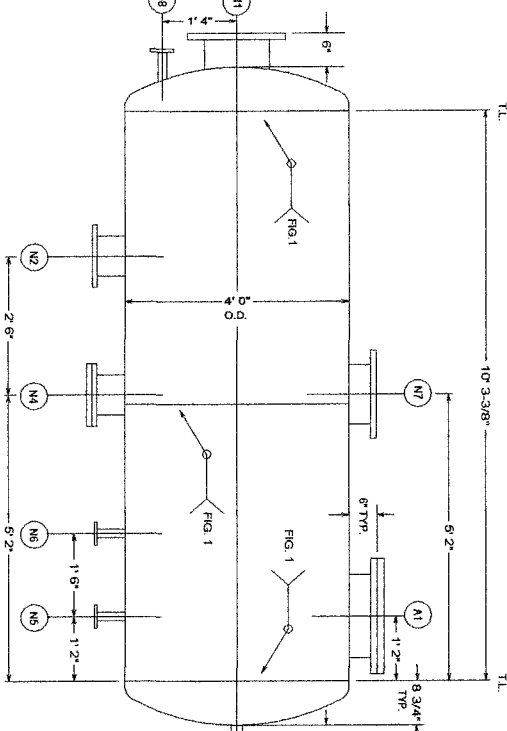
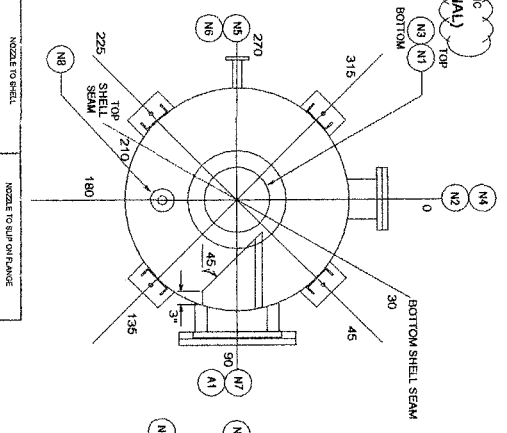
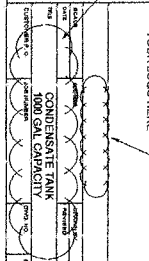


MARK	SHRINCE	SIZE	RATING	TYPE	MATERIAL	CODE	REQ.	FIELD DIMENSIONS	REMARKS
A1	MANWAY	14"	180"	R.F.S.O.	A-105		1	Ø 14"	WITH BOLTS AND GASKET
N1	OUTLET	6"	150"	R.F.S.O. <td>A-105</td> <td></td> <td>6</td> <td>Ø 6"</td> <td></td>	A-105		6	Ø 6"	
N2		2"	150"	R.F.S.O. <td>A-105</td> <td></td> <td>6</td> <td>Ø 1/4"</td> <td></td>	A-105		6	Ø 1/4"	
N3		2"	150"	R.F.S.O. <td>A-105</td> <td></td> <td>6</td> <td>Ø 1/4"</td> <td></td>	A-105		6	Ø 1/4"	
N4		6"	150"	R.F.S.O. <td>A-105</td> <td></td> <td>6</td> <td>Ø 1/4"</td> <td></td>	A-105		6	Ø 1/4"	
N5	LEVEL INSET	1 1/2"	150"	R.F.S.O. <td>A-105</td> <td></td> <td>6</td> <td>Ø 1/4"</td> <td>WITH BOLTS AND GASKET</td>	A-105		6	Ø 1/4"	WITH BOLTS AND GASKET
N6	LEVEL INSET	1 1/2"	150"	R.F.S.O. <td>A-105</td> <td></td> <td>6</td> <td>Ø 1/4"</td> <td></td>	A-105		6	Ø 1/4"	
N7	NOZZLE	1 1/2"	150"	R.F.S.O. <td>A-105</td> <td></td> <td>6</td> <td>Ø 1/4"</td> <td></td>	A-105		6	Ø 1/4"	
N8	NZ COUPL	1 1/2"	150"	R.F.S.O. <td>A-105</td> <td></td> <td>6</td> <td>Ø 1/4"</td> <td></td>	A-105		6	Ø 1/4"	



VESSEL CIRCUMFERENCE DIMENSIONS
 VESSEL OUTSIDE DIAMETER = 48 INCHES
 CIRCUMFERENCE (90 DEG) = 150.796 INCHES
 1/4 CIRC (90 DEG) = 37.699 INCHES
 1/2 CIRC (180 DEG) = 75.398 INCHES
 INCHES PER DEGREE = 0.419



YOUR INFO HERE

CONDENSATE TANK
 1000 GAL CAPACITY

DESIGN DATA

MATERIAL	ALLOWED STRESS PER	TYPE	THICKNESS
SA-516-70	17500		3/8"
SA-516-70	17500		3/8"
SA-516-70	17500		3/8"
SA-106-B	15000		3/8"

DESIGN PRESSURE = 15 PSIG
 MAXIMUM OPERATING TEMP = 20
 JOINT EFFICIENCY = 70
 CORROSION ALLOWANCE = 0
 WIND SPEED = 22.5

YOUR INFO HERE

CONDENSATE TANK
 1000 GAL CAPACITY